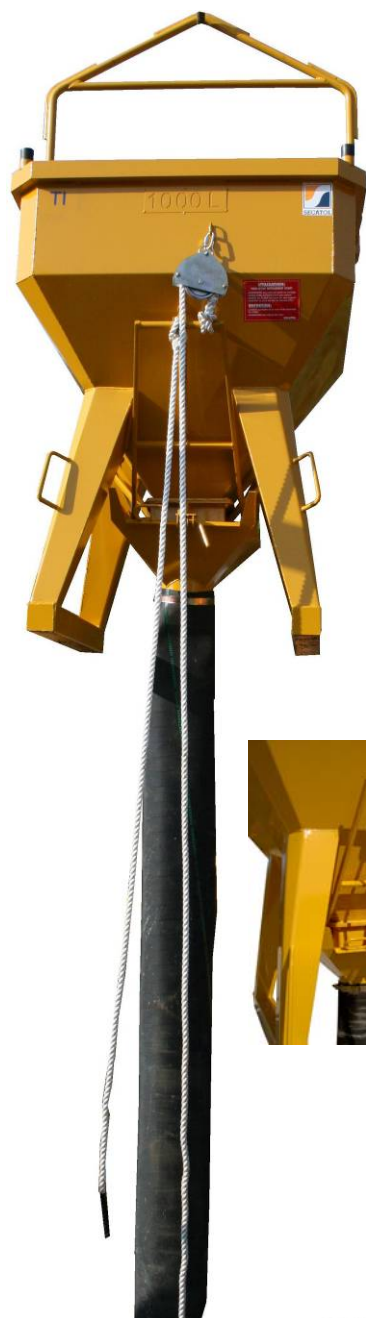


UPRIGHT CENTER DISCHARGE SKIP

TI Mechanism

ref : TI
EUROPEAN PATENT

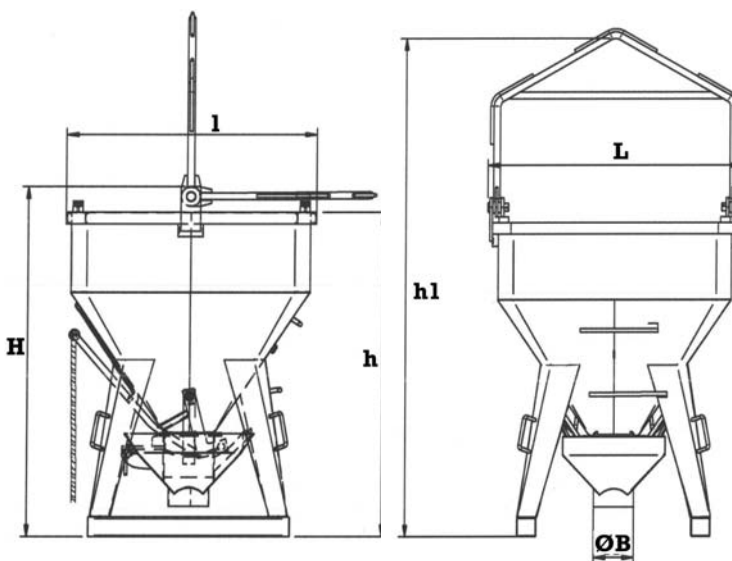


Concrete skips with discharge hose is already a well-known product. For this new system suitable for the existing buckets, we managed **to solve issues of leakage, security and cleanliness** on the building sites. The whole system to avoid the risks of overflow and segregation is presented under the name TI concrete skip.

The advantages of the TI system are the following:

- The cone, very high, enables any leakage from the gate to be directed into the discharge hose via the funnel.
- The small space between the cone and the gate prevents from suffering overflows.
- The quick release funnels are available in 4 different diameter discharge hose to give flexibility to numerous applications. The funnel hinges down to facilitate an easy access for cleaning the gate mechanism.

Skips with capacities of 1000L and above are fitted with the auxiliary gate closing option to assist the gate operator on the gate closure.



Tubular feet from 350 to 500L

TI gate

TI

Product Code	Capacity in L.	Dimensions in mm				Weight in Kg	Overall size			
		A	ØB	h	h1		L	I	H	
31035	350	1051	200	1192	2000	220	1180	1110	1322	Handle
31050	500	1051	200	1337	2145	228	1180	1110	1467	Handle
31060	600	1200	200	1365	2330	305	1320	1270	1495	Handle
31080	800	1200	200	1500	2465	320	1320	1270	1630	Handle
31100	1000	1200	200	1640	2605	335	1320	1270	1770	Handle
31125	1250	1500	200	1650	2755	470	1640	1590	1970	Bale Arm
31150	1500	1500	200	1750	2835	490	1640	1590	1900	Bale Arm
31200	2000	1500	200	1950	3080	575	1640	1590	2100	Bale Arm

(Larger capacities on request)