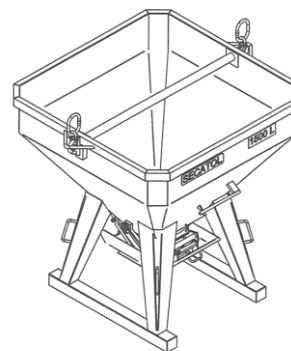
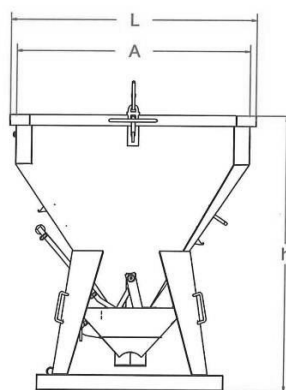
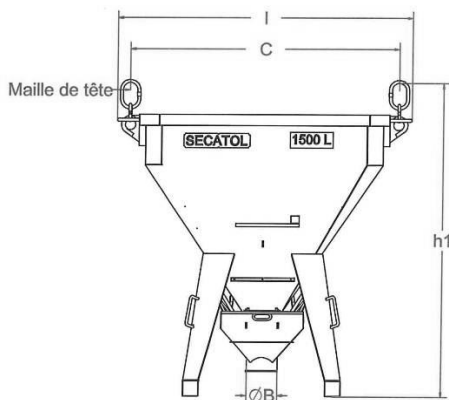




Zoom on a lifting point (European patent)



Round legs from 350 to 500L



**Presentation:** This column skip is designed to enable concrete to be poured into narrow shuttering or columns.

**Means of handling:** This skip is lifted by chains (not included).

**Gate type:** This type of skip can be fitted with all the SECATOL mechanisms (TU, TI or TE).

**Discharge type:** Centre

**Gate operation:** By means of a nylon rope attached to a spring return lever for the TI and TU gates and by a wheel for the TE gate.

*Skips with capacities of 1000L and above are fitted with the auxiliary gate closing option to ease the gate closure.*

**Characteristics:**

- **Lifting points**
- Skip belt in U profile for **greater strength**.
- Delivered with a 3 m long hose, Ø 200mm for TI and TE mechanisms and 1.5 m for TE (as option Ø 90, 150 or 250 mm available).

Capacity* (in Litres)	Useful dimensions (in mm)			Overall size (in mm)			TI PF		TU PF		TE PF		Inside Ø of the lifting rings (in mm)
	A	h1	C	L	I	h	Product code	Weight (in Kg)	Product code	Weight (in Kg)	Product code	Weight (in Kg)	
350	1051	1360	1195	1110	1365	1192	31036	194	25036	196	47036	184	70*120
500	1051	1500	1195	1110	1365	1337	31053	202	25053	208	47053	190	70*120
600	1200	1585	1380	1270	1540	1365	31063	275	25063	282	47063	264	90*150
800	1200	1725	1380	1270	1540	1500	31083	290	25083	296	47083	280	90*150
1000	1200	1865	1380	1270	1540	1640	31103	305	25103	314	47103	300	90*150
1250	1500	1880	1700	1590	1865	1650	31126	398	25126	408	47126	393	90*150
1500	1500	1990	1700	1590	1865	1750	31153	418	25153	428	47153	410	90*150
2000	1500	2215	1700	1590	1865	1950	31203	491	25203	504	47203	466	90*150
2500	1500	2420	1700	1590	1865	2232	31253	520	25253	525	47253	487	95*170
2500 V2	1800	2229	2108	1970	2319	2029	31254	689	-	-	-	-	95*170

\*Geometric capacity, apply a coefficient depending on the nature of the concrete to calculate the useful capacity (other capacities on request)  
These technical details are given for information purposes only, they can be changed without any notice.