



TI PF FU 1500 L



**Presentation:** This column skip is designed to enable concrete to be poured into narrow shuttering or columns.

**Means of handling:** This skip can be used with both a crane and forklift.

**Gate type:** This type of skip can be fitted with all the SECATOL mechanisms (TU, TI or TE).

**Discharge type:** Centre

**Gate operation:** By means of a nylon rope attached to a spring return lever for the TI and TU gates and by a wheel for the TE gate.

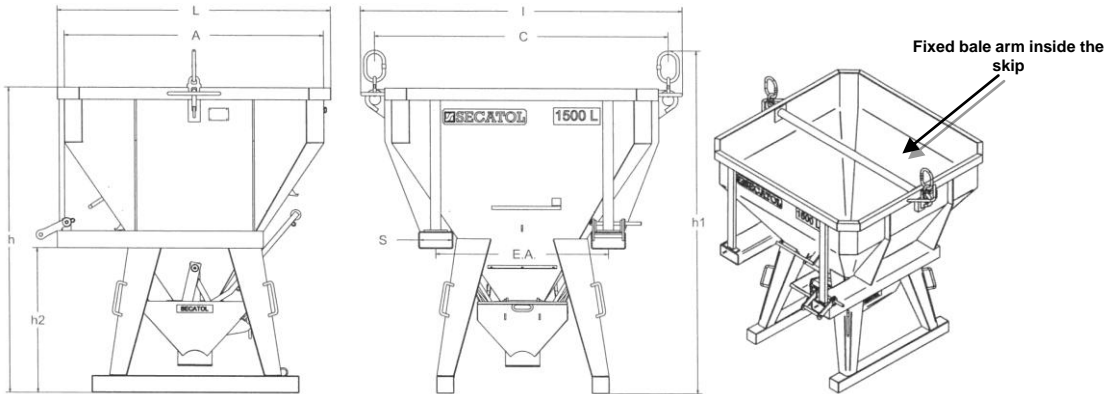
*Skips with capacities of 1000L and above are fitted with the auxiliary gate closing option to ease the gate closure.*

**Characteristics:**

- Skip body reinforcing frame made from channel for **greater strength**.
- Delivered with a 3 metre long hose, Ø 200mm (as option Ø 90, 150 or 250 mm available).



Zoom on a lifting point (European patent)



Capacity* (in Litres)	Useful dimensions (in mm)			Overall size (in mm)			Fork pockets size (in mm)		TI PF FU		TU PF FU		TE PF FU		Inside Ø of the lifting rings (in mm)
	A	h1	C	L	I	h	E.A.	S	Product code	Weight (in Kg)	Product code	Weight (in Kg)	Product code	Weight (in Kg)	
350	1051	1360	1195	1110	1365	1192	880	180x80	31036FU	238	25036FU	240	47036FU	218	70*120
500	1051	1500	1195	1110	1365	1337	880	180x80	31053FU	246	25053FU	252	47053FU	234	70*120
600	1200	1585	1380	1270	1540	1365	980	180x80	31063FU	361	25063FU	368	47063FU	348	90*150
800	1200	1725	1380	1270	1540	1500	980	180x80	31083FU	376	25083FU	382	47083FU	366	90*150
1000	1200	1865	1380	1270	1540	1640	980	180x80	31103FU	391	25103FU	400	47103FU	386	90*150
1250	1500	1880	1700	1590	1865	1650	1000	180x80	31126FU	543	25126FU	553	47126FU	538	90*150
1500	1500	1990	1700	1590	1865	1750	1000	180x80	31153FU	551	25153FU	573	47153FU	555	90*150
2000	1500	2215	1700	1590	1865	1950	1000	180x80	31203FU	619	25203FU	649	47203FU	611	90*150

\*Geometric capacity, apply a coefficient depending on the nature of the concrete to calculate the useful capacity (other capacities on request)  
These technical details are given for information purposes only, they can be changed without any notice.